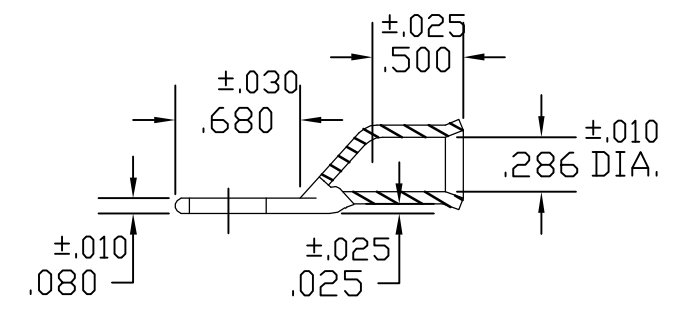
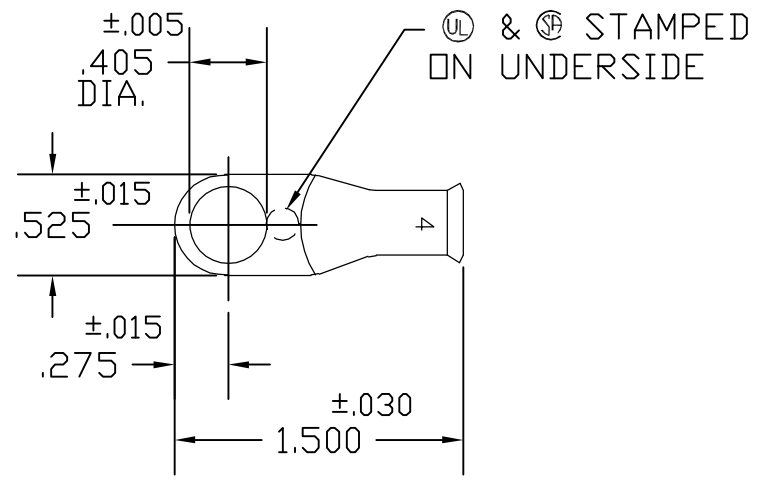


THIS DRAWING IS UNPUBLISHED. RELEASED FOR PUBLICATION
 © COPYRIGHT BY TYCO ELECTRONICS CORPORATION. ALL RIGHTS RESERVED.

LOC	DIST	REVISIONS					
		P	LTR	DESCRIPTION	DATE	DWN	APVD
G	50		B1	REVISED PER ECR-06-009580	28APR06	HMR	JR



ACTIVE	4381-01-D	SMALL PACK	TIN PLATE	8-1526242-2
ACTIVE	4381-01	STANDARD	TIN PLATE	1526242-2
ACTIVE	4381-00	STANDARD	PLAIN	1526242-1
STATUS	AET P/N	PACKAGING	FINISH	PART NUMBER

THIS DRAWING IS A CONTROLLED DOCUMENT.		DWN D.A.A	10/18/00	Tyco Electronics Corporation Harrisburg, PA 17105-3608	
DIMENSIONS: INCHES		CHK H.D.F	10/18/00		
		TOLERANCES UNLESS OTHERWISE SPECIFIED:		4 STANDARD TERMINAL	
		0 PLC ± -	1 PLC ± -	APVD H.D.F 10/18/00	
MATERIAL COPPER ASTM B-152		FINISH -		PRODUCT SPEC -	
		APPLICATION SPEC -		SIZE A3	
		WEIGHT -		CAGE CODE 00779	
		CUSTOMER DRAWING		DRAWING NO C-1526242	
				RESTRICTED TO -	
				SCALE 1:1	
				SHEET 1 OF 1	
				REV B1	